



# B5817W SCHOTTKY BARRIER DIODE

## 主要特征/Features

- ◇ Surface Mount SOD-123 Package;
- ◇ For use in low voltage, high frequency inverters;
- ◇ Free wheeling, and polarity protection applications;
- ◇ RoHS compliant / Green EMC;

## 印字/MARKING 等效电路/Equivalent Circuit



## 极限参数/Absolute Maximum Ratings(TA=25°C unless otherwise noted)

参数 Parameter	符号 Symbol	数值 Value	单位 Unit
Non-repetitive peak reverse voltage	$V_{RM}$	20	V
Peak repetitive peak reverse voltage Working peak reverse voltage DC blocking voltage	$V_{RRM}$	20	V
RMS Reverse Voltage	$V_{R(RMS)}$	14	V
Average rectified output current	$I_O$	1	A
Peak forward surge current @t=8.3ms	$I_{FSM}$	9	A
Repetitive peak forward current	$I_{FRM}$	1.5	A
Power Dissipation	$P_d$	500	mW
Thermal Resistance from Junction to Ambient	$R_{\theta JA}$	200	°C/W
Storage Temperature	$T_{STG}$	-55~+150	°C

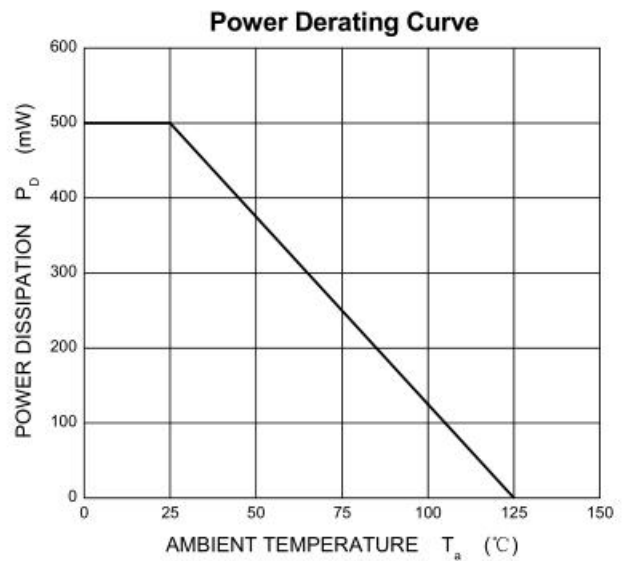
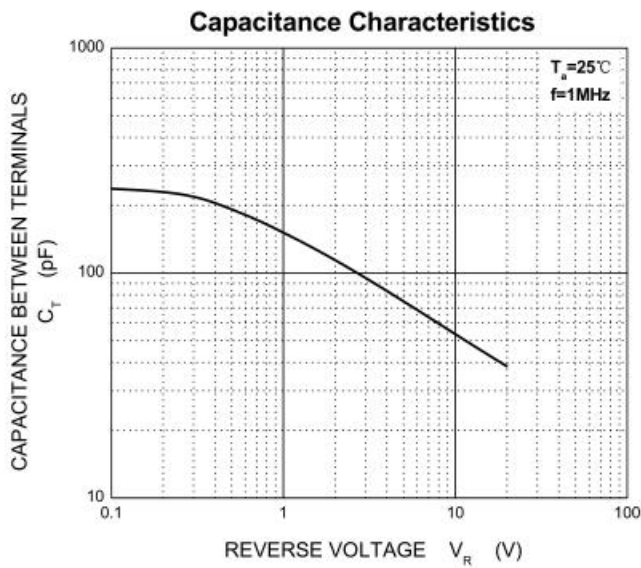
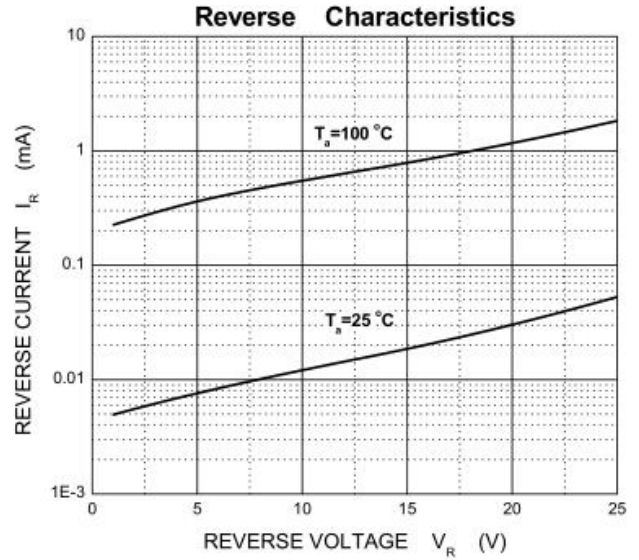
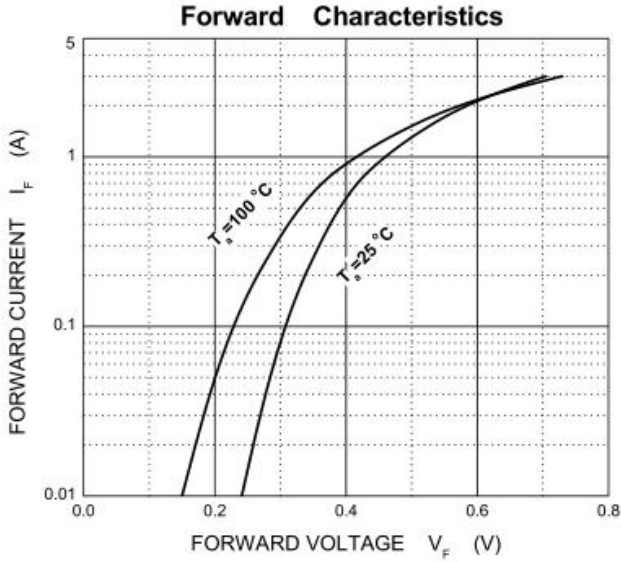
## 电性能参数/Electrical Characteristics (TA=25°C unless otherwise noted)



参数 Parameter	符号 Symbol	测试条件 Conditions	最小值 Min	典型值 Typ	最大值 Max	单位 Unit
Reverse breakdown voltage	$V_{(BR)}$	$I_R=1mA$	20			V
Reverse voltage leakage current	$I_R$	$V_R=20V$			1	mA
Forward Voltage	$V_{F1}$	$I_F=1A$			0.45	V
	$V_{F2}$	$I_F=3A$			0.75	
Diode capacitance	$C_D$	$V_R=4V$ $f=1MHz$			120	pF

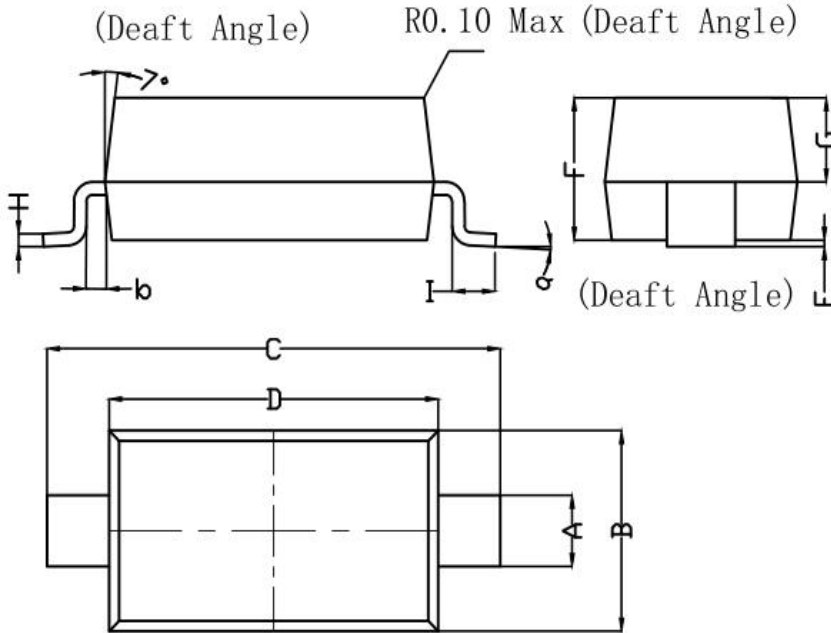


典型特性曲线图/Typical Characteristics





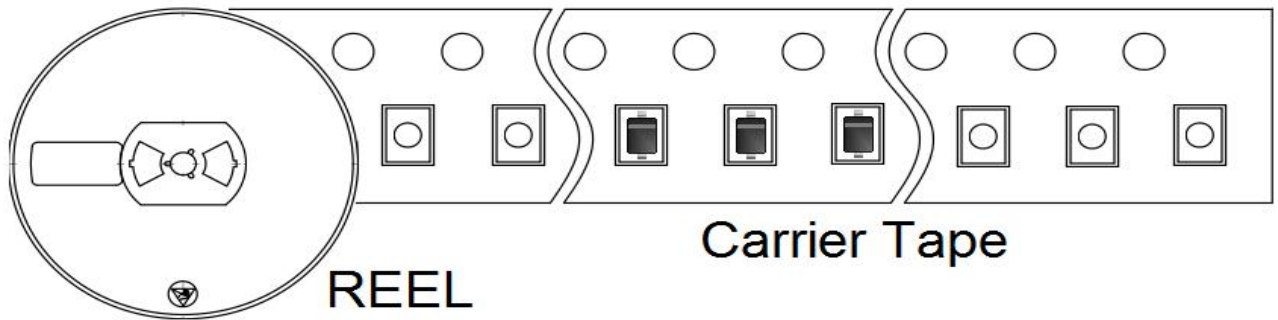
成品外观尺寸/SOD-123 Package Information



Symbol	Dim in mm		
	Min	Nom	Max
A	0.520	0.550	0.570
B	1.400	1.550	1.700
C	3.350	3.650	3.850
D	2.550	2.650	2.850
E	0.000	0.050	0.100
F	1.050	1.100	1.150
G	0.620	0.650	0.670
H	0.100	0.110	0.120
I	0.250	0.350	0.450
a	0°	-	6°
b	0.4°	-	0.8°

Mold Surface roughness <4um

出货规范/Shipping Specifications



×15



×4



Reel	Reel Size	Box	Box Size(mm)	Carton	Carton size(mm)
3000 Pcs	7 inch	45 KPcs	185×185×188	180 KPcs	400×400×210