



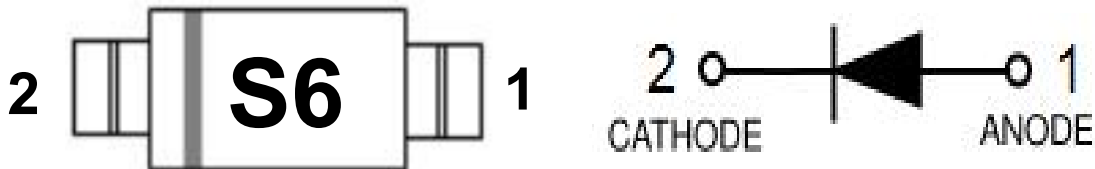
SD103CWS

SCHOTTKY BARRIER DIODE

主要特征/Features

- ◇ Surface Mount SOD-323 Package ;
- ◇ Low Forward Voltage Drop;
- ◇ Negligible Reverse Recovery Time;
- ◇ RoHS compliant / Green EMC;

印字/MARKING 等效电路/Equivalent Circuit



极限参数/Absolute Maximum Ratings(TA=25°C unless otherwise noted)

参数 Parameter	符号 Symbol	数值 Value	单位 Unit
Peak Repetitive Peak reverse voltage	V_{RRM}		
Working Peak DC Blocking Voltage	V_{RWM} V_R	20	V
RMS Reverse Voltage	$V_{R(RMS)}$	14	V
Forward Continuous Current	I_{FM}	350	mA
Repetitive Peak Forward Current @t≤1.0s	I_{FRM}	1.5	A
Power Dissipation	P_d	200	mW
Thermal Resistance Junction to Ambient	$R_{\theta JA}$	300	°C/W
Storage Temperature	T_{STG}	-65~+125	°C



电性能参数/Electrical Characteristics (TA=25°C unless otherwise noted)

参数 Parameter	符号 Symbol	测试条件 Conditions	最小值 Min	典型值 Typ	最大值 Max	单位 Unit
Reverse Breakdown Voltage	$V_{(BR)R}$	$I_R=100\mu A$	20			V
Forward voltage	V_F	$I_F=20mA$			0.37	V
		$I_F=200mA$			0.60	
Reverse Current	I_R	$V_R=10V$			5.0	μA
Capacitance between terminals	C_T	$V_R=0V, f=1MHz$			50	pF
Reverse Recovery Time	trr	$I_F=I_R=200mA$ $I_{rr}=0.1 \times I_R$ $R_L=100\Omega$		10		nS

典型特性曲线图/Typical Characteristics

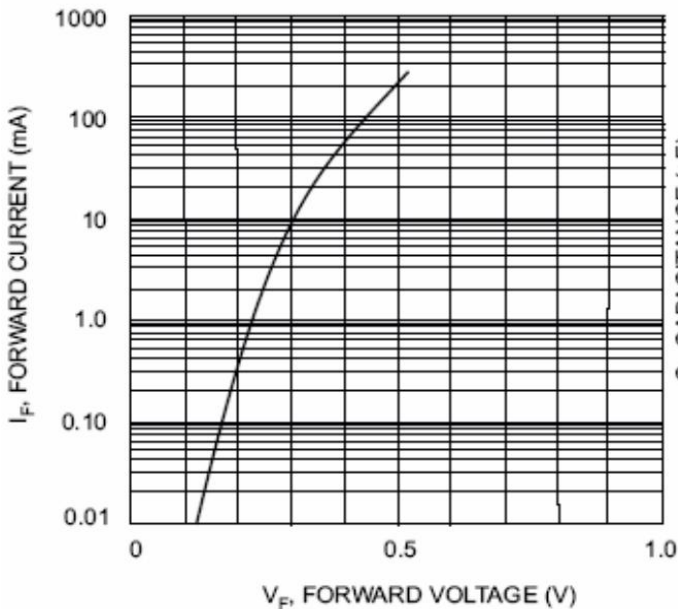


Fig. 1 Typical Forward Characteristics

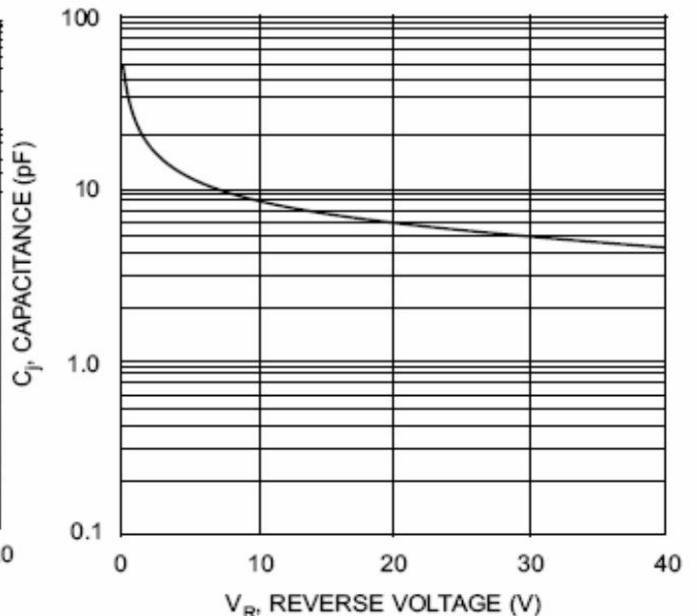
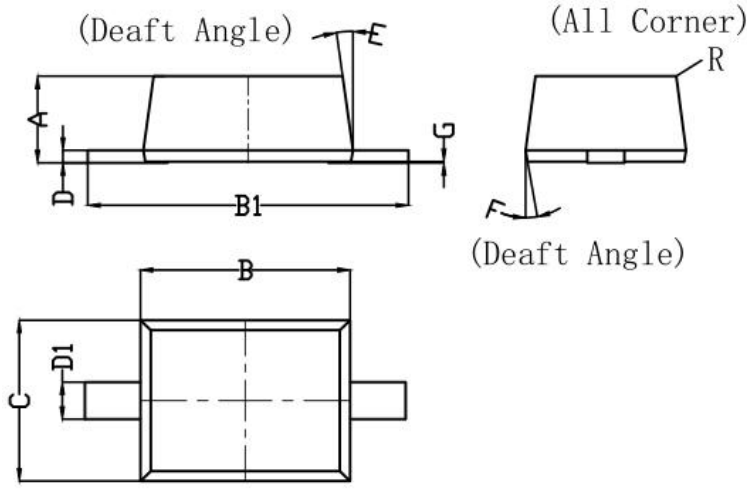


Fig. 2 Typ. Junction Capacitance vs Reverse Voltage



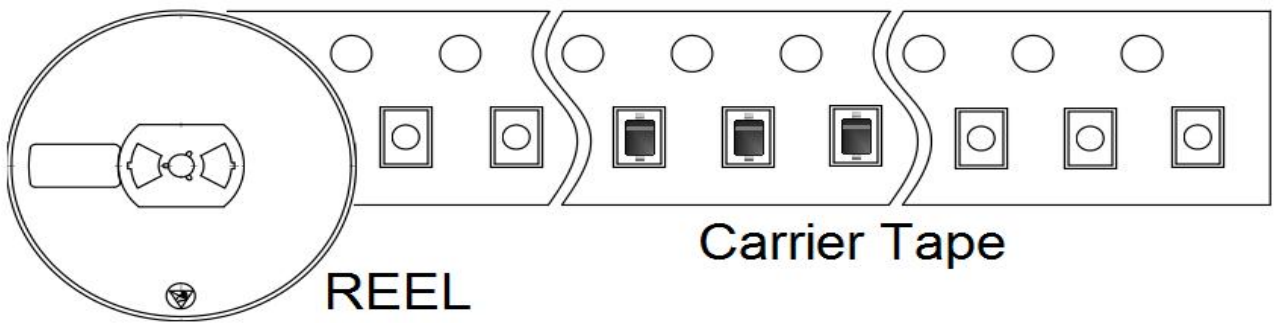
成品外观尺寸/SOD-323 Package Information



Symbol	Dim in mm		
	Min	Nom	Max
A	0.600	0.700	0.800
B	1.650	1.700	1.750
B1	2.250	2.600	2.750
C	1.250	1.300	1.350
D	0.100	0.110	0.120
D1	0.280	0.300	0.320
E	7°	8°	9°
F	9°	10°	11°
G	0.000	-	0.020
R	0.020	-	0.050

Mold Surface roughness <4um

出货规范/Shipping Specifications



×15



×4



Reel	Reel Size	Box	Box Size(mm)	Carton	Carton size(mm)
3000 Pcs	7 inch	45 KPcs	185×185×188	180 KPcs	400×400×210